

4

3

2

1

THIS DRAWING IS UNPUBLISHED.

RELEASED FOR PUBLICATION

© COPYRIGHT 19

BY AMP INCORPORATED. ALL RIGHTS RESERVED.

LOC
CE DIST
16

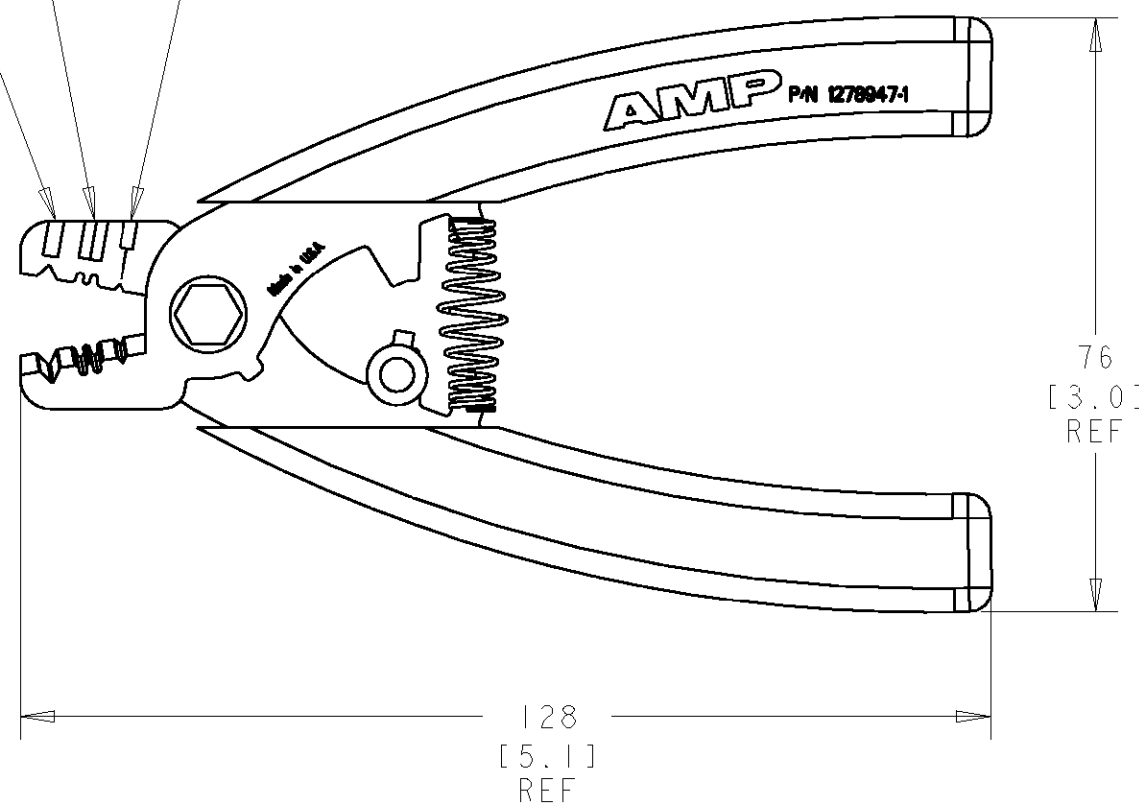
REVISIONS

P	LTR	DESCRIPTION	DATE	DWN	APVD
	A	REVISED PER EC 0A00-0045-00	24JAN00	TG	SM

MINI ZIPCORD JACKET

BUFFER/COATING

JACKET



1278947-1

PART NUMBER

THIS DRAWING IS A CONTROLLED DOCUMENT FOR AMP INCORPORATED. IT IS SUBJECT TO CHANGE AND THE CONTROLLING ENGINEERING ORGANIZATION SHOULD BE CONTACTED FOR THE LATEST REVISION.

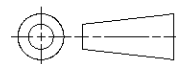
DWN T.GREEN 08SEP99
 CHK J.SABO 08SEP99
 APVD S.BUCHTER 08SEP99

AMP

AMP Incorporated
Harrisburg, PA 17105-3608

DIMENSIONS:
mm [INCHES]

TOLERANCES UNLESS OTHERWISE SPECIFIED:



0 PLC ±-
 1 PLC ±-
 2 PLC ±-
 3 PLC ±-
 4 PLC ±-
 ANGLES ±-

MATERIAL -

FINISH -

PRODUCT SPEC -

APPLICATION SPEC -

WEIGHT -

NAME
STRIP TOOL, FIBER,
COMBINATION

SIZE A3 CAGE CODE 00779 DRAWING NO C-1278947

RESTRICTED TO -

CUSTOMER DRAWING

SCALE SHEET OF REV A